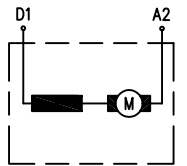
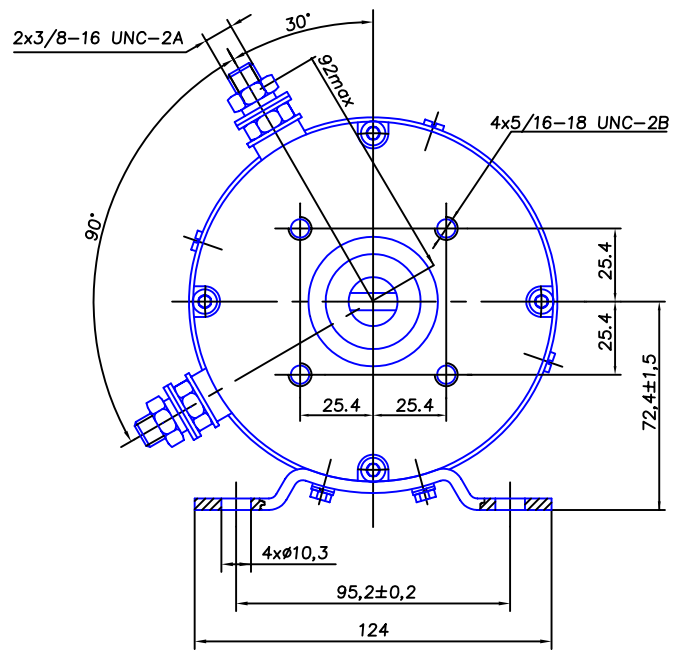
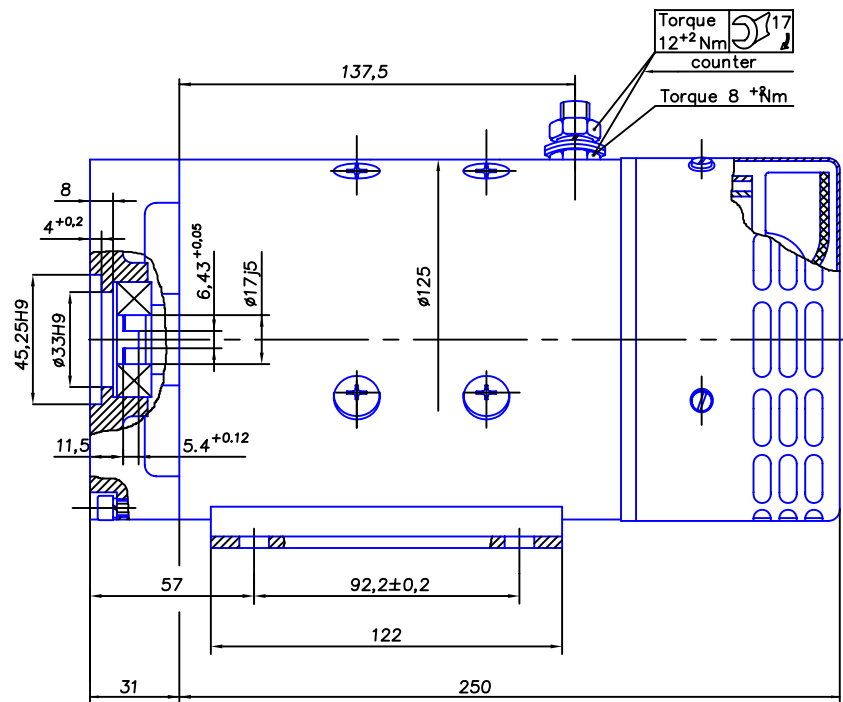


H125/04



CODE	V	kW	RPM	Rate	Rot	IP	Curve
MH125 1.5/45 2404	12	1,56	4500	S1	CWDE	IP20	fig.5

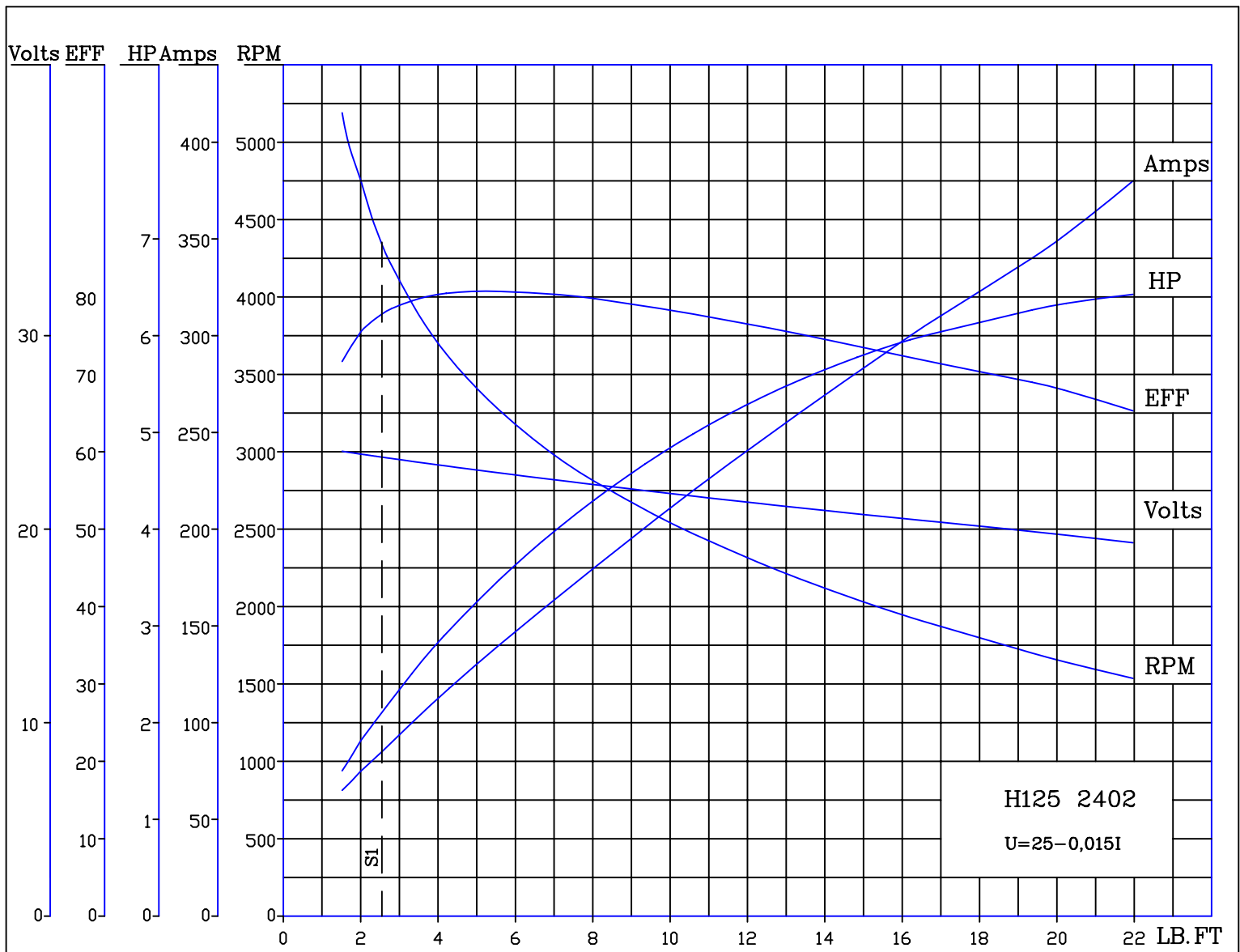


fig.5